

IPCO MASONRY ANCHOR BOLTS

1. Product Name

IPCO Masonry Anchor Bolts Series A and Series C

2. Manufacturer

Illinois Products Corporation (IPCO)
423 Joseph Drive
South Elgin, IL 60177-2268
800-383-8183; 847-289-2800
847-289-2804 (fax)
www.illinoisproducts.com

3. Product Description

The IPCO Masonry Anchor Bolt is a unique anchor bolt design which has been used successfully for over 40 years. The bolts fit in the head joint of the concrete block, setting securely between the blocks rather than in the core. The IPCO Masonry Anchor Bolt will not turn, twist or pull loose, and will always set straight for easy fitting of the sill plate.

IPCO Masonry Anchor Bolts save time by eliminating the labor used in filling the cores and setting the round bolts, as well as time spent straightening crooked bolts. Because they fit in the head joints, the bolts will always be evenly spaced and at the correct height.

IPCO Masonry Anchor Bolts are available in two configurations—single course anchorage or double course anchorage. Installation of the bolts is fast and easy and is done as the wall is being constructed, again saving time and labor spent installing standard round bolts. The bolts are supplied with nuts and washers for a complete installation. The multitude of sizes and dimensions available for the IPCO Masonry Anchor Bolts allow the bolts to fit almost any wall configuration and size requirement.

If hot-dip galvanized anchorage is desired, the IPCOTE Hot-Dip Galvanized Anchor Bolt is available. This bolt meets and exceeds the ASTM A-153 standard for hot-dip galvanizing to address the higher copper content of wood preservatives now in use. See the IPCOTE Hot-Dip Galvanized Masonry Anchor Bolt data sheet for additional information.

4. Technical Data

- Material: Commercial grade steel conforming to ASTM A-36
- Dimensions:
 - Series A** in 4", 6", 8", 10", 12", 14", 16" and 18" lengths
 - Series C** in 6½/7¼" and 10½/17¾" lengths

For exact dimensions, see Series A and Series C charts.

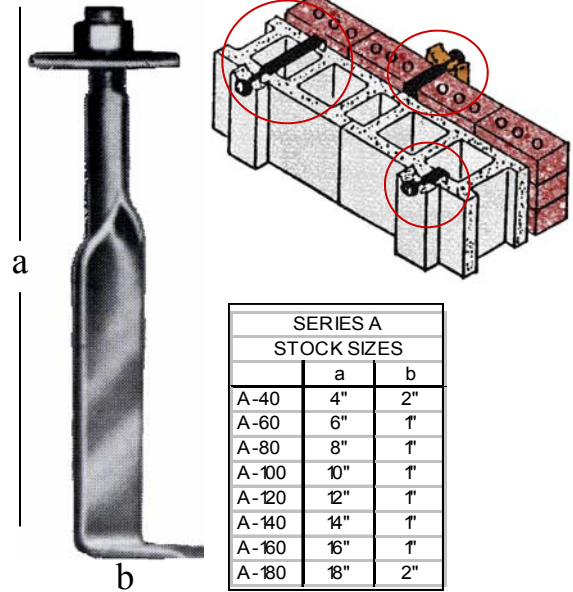
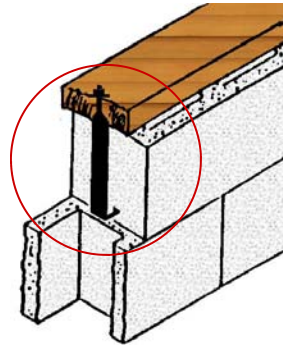
5. Installation

IPCO Masonry Anchor Bolts are to be installed as indicated in the drawings contained on this data sheet and as per single or double course anchorage. Spacing is to follow local codes and requirements.

6. Availability and Cost

All Illinois Products Corporation masonry products and cost information are available

SERIES A



through a nationwide network of masonry and building supply distributors

7. Warranty

The recommendations and properties attributed to the products are based upon what is believed to be reliable information. Illinois Products Corporation warrants materials to be of good quality and will replace unused material proven to be defective. No expressed or implied warranty of installed material is made because satisfactory results depend not only on product quality but also upon factors that are beyond IPCO's control

8. Maintenance

No maintenance is required after proper installation.

9. Technical Services

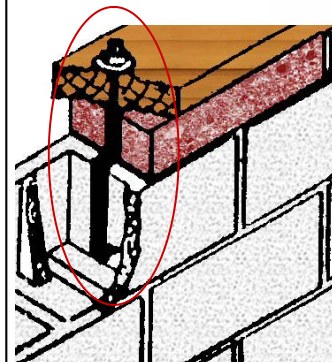
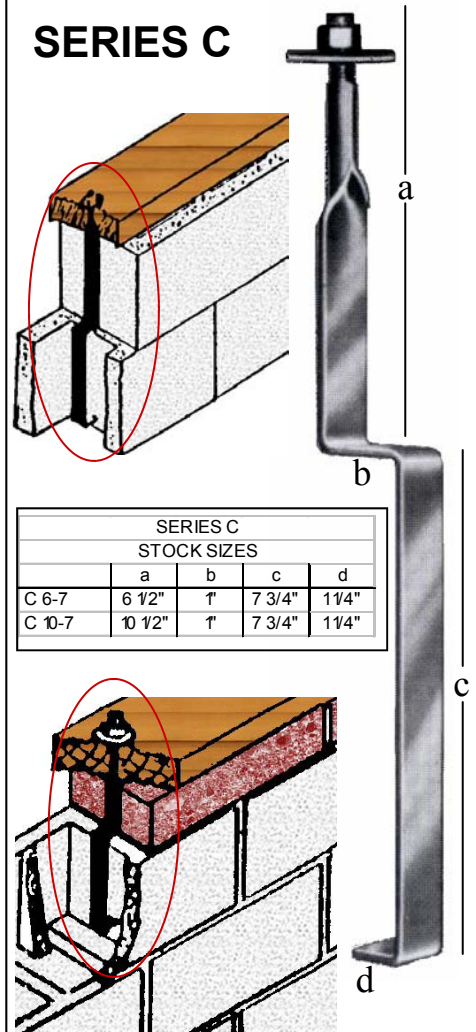
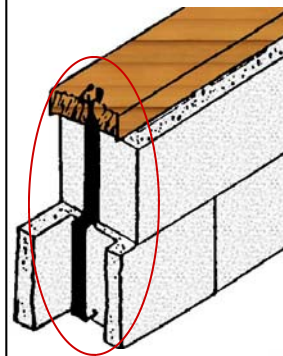
Contact the manufacturer for any required technical services. Details and suggested application drawings are available on each individual product data sheet. IPCO Material Safety Data Sheets should be read and understood by all personnel before using the products.

10. Filing Systems

Product information is available from the manufacturer in the following formats:

- Complete IPCO product line catalog in printed and CD formats
- Online access to all data sheets at: www.illinoisproducts.com

SERIES C



Revised 01/2007