

# IPCOTE HOT-DIP GALVANIZED MASONRY ANCHOR BOLTS

## 1. Product Name

IPCOTE Hot-Dip Galvanized Masonry Anchor Bolts Series A and Series C

## 2. Manufacturer

Illinois Products Corporation (IPCO)  
423 Joseph Drive  
South Elgin, IL 60177-2268  
800-383-8183; 847-289-2800  
847-289-2804 (fax)  
www.illinoisproducts.com

## 3. Product Description

The IPCOTE Hot-Dip Galvanized Anchor Bolt addresses the higher copper content preservatives being used to treat lumber, such as ACQ (aluminum chromated quat) or CA (copper azole). The IPCOTE Hot Dip Galvanized Anchor Bolt exceeds the ASTM A-153 standard for zinc coating that is recommended for use with these preservatives. The bolts are post-batch hot-dipped to insure that all areas of the bolt are protected.

The IPCOTE Hot-Dip Galvanized Anchor Bolt is a unique anchor bolt design which has been used successfully for over 40 years. The bolts fit in the head joint of the concrete block, setting securely between the blocks rather than in the core. The IPCOTE HDG bolt will not turn, twist or pull loose, and will always set straight for easy fitting of the sill plate.

IPCOTE HDG Anchor Bolts save time by eliminating the labor used in filling the cores and setting the round bolts, as well as time spent straightening crooked bolts. Because they fit in the head joints, the bolts will always be evenly spaced and the correct height.

IPCOTE HDG Anchor Bolts are available in two configurations—single course anchorage or double course anchorage. Installation of the bolts is fast and easy and is done as the wall is being constructed, again saving time and labor spent installing standard round bolts. The bolts are supplied with oversized hot-dip galvanized nuts and washers to insure zinc coated protection for the entire anchor bolt assembly.

The multitude of sizes and dimensions available for the IPCOTE HDG Anchor Bolts allow the bolts to fit almost any wall configuration and size requirement.

## 4. Technical Data

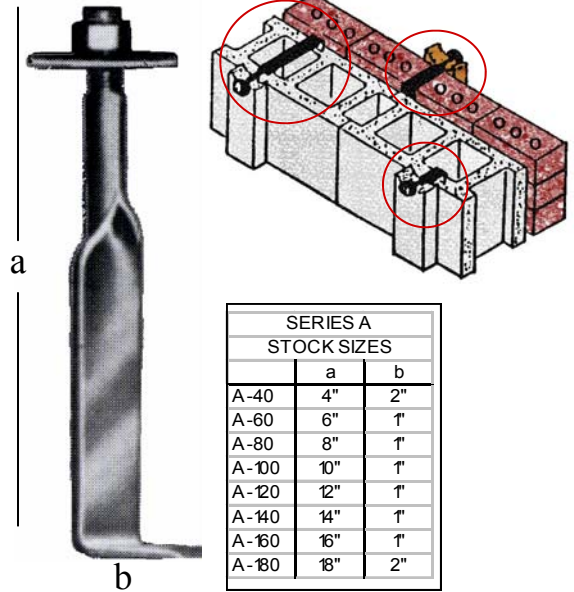
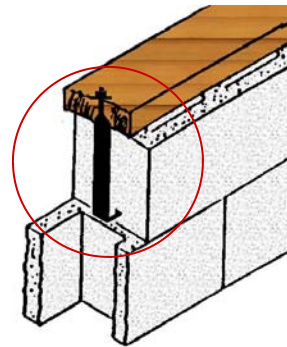
- Material: Commercial grade steel conforming to ASTM A-36
- Galvanizing: Conforming to ASTM A-153
- Dimensions:
  - Series A in 4", 6", 8", 10", 12", 14", 16" and 18" lengths
  - Series C in 6½/7¾" and 10½/7¾" lengths

For exact dimensions, see Series A and Series C charts.

## 5. Installation

IPCOTE HDG Anchor Bolts are to be installed as indicated in the drawings contained on this data sheet and as per single or double course anchorage. Spacing is to follow local codes and requirements.

## SERIES A



## 6. Availability and Cost

All Illinois Products Corporation masonry products and cost information are available through a nationwide network of masonry and building supply distributors.

## 7. Warranty

The recommendations and properties attributed to the products are based upon what is believed to be reliable information. Illinois Products Corporation warrants materials to be of good quality and will replace unused material proven to be defective. No expressed or implied warranty of installed material is made because satisfactory results depend not only on product quality but also upon factors that are beyond IPCO's control.

## 8. Maintenance

No maintenance is required after proper installation.

## 9. Technical Services

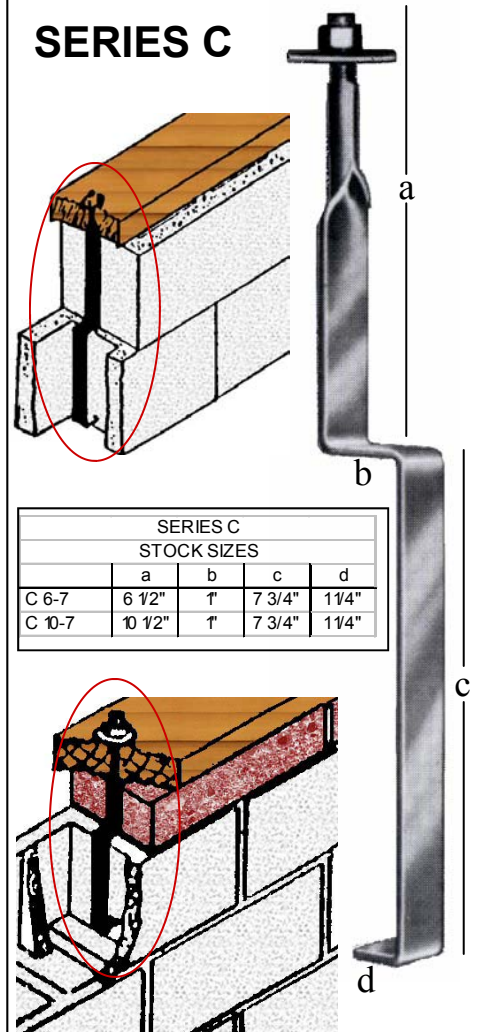
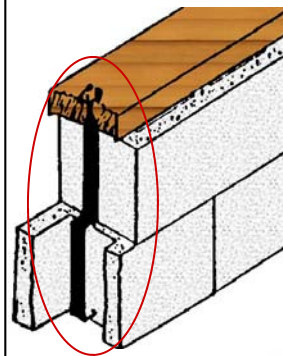
Contact the manufacturer for any required technical services. Details and suggested application drawings are available on each individual product data sheet. IPCO Material Safety Data Sheets should be read and understood by all personnel before using the products.

## 10. Filing Systems

Product information is available from the manufacturer in the following formats:

- Complete IPCO product line catalog in printed and CD formats
- Online access to all data sheets at: [www.illinoisproducts.com](http://www.illinoisproducts.com)

## SERIES C



Revised 01/2007